



Bon Preu Supplier EDI guide

Message = DESADV D96A

Versioned

Version	Date	Concept
1.3	07032024	Version 3

SUMARIO

1. OBJECTIVES OF THE USER GUIDE.....	2
1.1. Advantages of using EDI Standard	2
1.2. First steps in the communication. Operational with Bonpreu	2
1.3. Messages, Versions and Mailboxes	3
2. MESSAGE GUIDES.....	4
2.1. Guide of the Despatch Advice message (DESADV D96A)	4
2.1.1. Introduction	4
2.1.2. Message implementation	4
2.2. Branching Diagram.....	6
2.3. Details of the segments used.....	7
2.3.1. Despatch Advise example (DESADV D96A).....	21

1. OBJECTIVES OF THE USER GUIDE

The main objective of this EDI User Guide, for the electronic exchange of business documents with Bonpreu, is that it serves to clarify all the aspects involved in each one of the phases that are required to perform the exchanges in an efficient manner.

We consider it important that with this guide; identify all areas of our organization that are involved in the various operational in each time. They should also be clearly identified the areas involved of their organizations, so that the communication flow that occurs is most effective.

If for the first time, you will use the EDI system standard, we believe it appropriate to inform you that this guide contains technical aspects, of communication, EDI message, so that the IT areas of your organizations, they must have essential access to the same.

In the following chapters, you can find information related to the first steps that you should do to make the connection EDI between you and us. You can also find information related to the different documents that we will start to transmit and the content of the same.

1.1. Advantages of using EDI Standard

Currently, the supply chain between manufacturers and dealers requires that the flow of goods is as efficient as possible to avoid breakage of stock on the shelves, as well as expedite the payment of invoices.

To do this, the exchange of business documents, you need a tool to avoid delays. The tool or system of exchange is the standard EDI (Electronic Data Interchange), the use of which effectively allows the reduction of the cycle of the supply chain and the costs that you are incurring along the same.

As general advantages and particulars of the EDI standard in Bonpreu we can mention:

- Use a common language valid for all partners with the messages existing standards.
- Minor incidents in all of the administrative processes due to the non-manipulation of data.
- Cost of transmission is less than the load of data in information systems, compensating and amortised quickly the investment in software.

As a summary, we can say that it is a competitive advantage for any company, whether manufacturer, distributor or logistics operator.

1.2. First steps in the communication. Operational with Bonpreu

Those providers that it is the first time you go to use the System of Electronic Data Interchange it is necessary to know the parties involved in this system and the first steps to enter in this area.

- The Manufacturers, Distributors, dealers, Stores, Dealers and logistics Operators are the users of this system of electronic data interchange.
- Software vendors, who provide and implement programs to be able to make exchanges and to translate the different messages.
- Value-added networks (data transmission) to put their infrastructure in order to produce communication between the different users, and allow for the possible interchange between different networks and in different places.

For more information, you can contact with the EDI services supplier, SERES (902424342) or in his web (<http://es.grouperes.com>).

1.3. Messages, Versions and Mailboxes

Messages that Bonpreu interchange will be:

- DESADV D96A

The Bonpreu mailboxes are:

- **Bonpreu production** COUNTRY=FR ADM=ATLAS PRMD=SERES O=ALLEGRO-ES
OU1=EDI SURNAME=EDISERV GIVENNAME=8422410000005
- **Bonpreu Test** COUNTRY=FR ADM=ATLAS PRMD=SERES O=ALLEGRO-ES OU1=EDI
SURNAME=EDISERV GIVENNAME=8422410000005

- **Who Order (Buyer):** Bonpreu EAN Code
- **Who receives the goods (Receiver):** EAN Store/Dealer Code
- **Who is billed:** Bonpreu EAN Code (8422410000005)
- **Who pays (the Payer):** Bonpreu EAN Code

2. MESSAGE GUIDES

2.1. Guide of the Despatch Advice message (DESADV D96A)

2.1.1. Introduction

The Despatch Advice is a message specifying details for the goods despatched under conditions agreed between the buyer and the seller, with the function of advising the consignee of the detailed contents of a consignment. Will be used its D96A version.

The message allows the consignee to know what materials were despatched and when, allowing the consignee to prepare for receipt of the goods and to cross-check the delivery with the order.

Below are the data used, description of them, and the location in the EDI message.

2.1.2. Message implementation

For be able to successfully manage the messages DESADV with Despatch Advice to platforms, it is necessary that the message sender to include additional logistics information. The additional information necessary for the crossdocking logistics delivery notes will be the following:

- RFF + ON Order Number of BONPREU

It is mandatory to specify to what consolidated order refers to this dispatch advice.

- CPS+2+1'
- PAC+1++201'

It is mandatory to indicate in the PAC segment if the merchandise will be served on a full pallet, on a half or a quarter pallet.

- PCI+33E
- GIN+BJ+SSCC packaging of higher level (usually PALLET)

After the segments PAC and CPS includes the number plate of the container (SSCC).

Each package with (SSCC) **should only contain merchandise of a shop** (an order of BONPREU)

- In the LIN segment indicates the EAN code of the article requested:
 - If the EAN is from the consumption unit, you can add the PIA segment with ADU qualifier to indicate the EAN-code of the shipping unit.
 - If the EAN is from the shipping unit, you can add the PIA segment with ACU qualifier to indicate the EAN code of the consumption unit.
- QTY+12 (delivered quantity) indicating the unit of measure (PCE/LTR), if applicable.

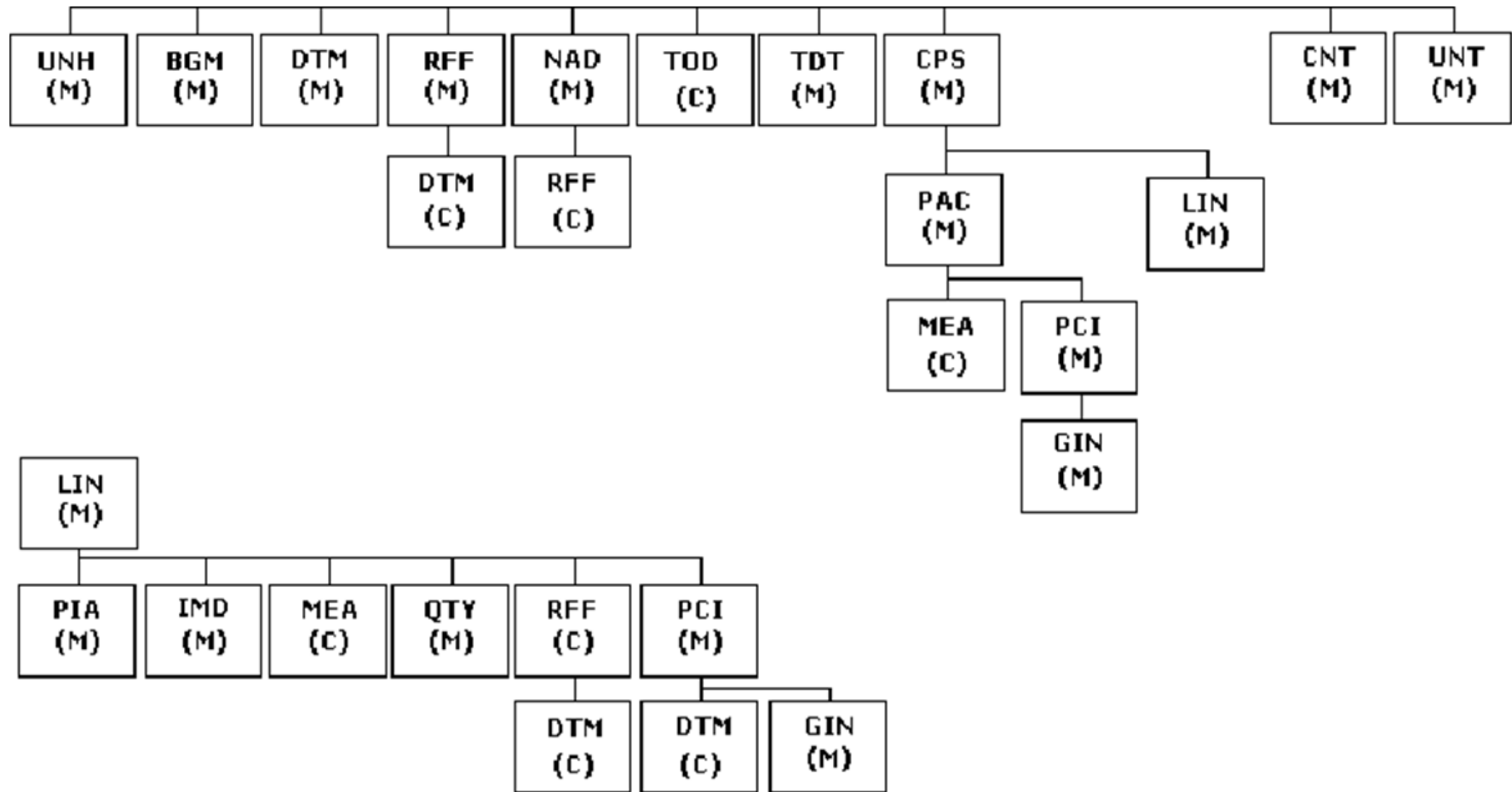
You need to indicate UNITS or TOTAL PIECES per SSCC

- QTY+59 (Number of consumer units in the traded unit).

Other considerations to keep in mind:

- **Allow multiple items, batch numbers and expiration dates for SSCC**
In the event that the article has lot number and expiration date, is mandatory to specify this information. For the case of the batch number, can be reported either in the PIA segment or in the GIN segment. For the case of the expiration date, can be reported in the DTM segment of the line or in the DTM segment of the GIN.
- For the case of delivery notes with goods of variable weight, it is mandatory to report the net weight of the shipment at the level of the pallet. If it is not possible to report level of pallet, you must know the weight on an item level (item detail).
- The item EAN code reported on the delivery note must be the same than the one sent in the original order of Bonpreu.
- For the reception of the DESADV message will be necessary to use the GLN as the identifier of the supplier not accepting DESADV messages using CIFs or other identifiers in the NAD segments.

2.2. Branching Diagram



2.3. Details of the segments used

UNH		MANDATORY FIELD		
Item No.	Description EANCOM	Tipo	M/C	Value to report
0062	Message reference number	AN..14	M	Sender's unique message reference. Sequence number of messages in the interchange
0065	Message type identifier	AN..3	M	DESADV = Delivery note
0052	Message type version number	AN..3	M	D
0054	Sub-version number of the message type	AN..3	M	96A = Directory EDIFACT D.96A
0051	Controlling agency	AN..3	M	UN= Agency responsible for the type of message.
0057	Code assigned by the association	AN..3	M	EAN005 = EAN Version control number.

Example: **UNH+00000472240374+DESADV:D:96A:UN:EAN005'**

BGM		MANDATORY FIELD		
Item No.	Description EANCOM	Tipo	M/C	Value to report
1001	Name of the document or message	AN..3	M	351 = Despatch Advice
1004	Name of the document or message	AN..35	M	Delivery note number
1225	Message function, encoded	AN..3	M	9 = Original

Example: **BGM+351+9999999+9'**

DTM		MANDATORY FIELD		
Item No.	Description EANCOM	Tipo	M/C	Value to report
2005	Date / time / period qualifier	AN..3	M	137 = Document date
2380	Date / time / period	AN..8	M	Document date
2379	Date / time / period format qualifier	AN..3	M	102 = Format CCAAMMDD

Example: **DTM+137:20180410:102'**

DTM		MANDATORY FIELD		
Item No.	Description EANCOM	Tipo	M/C	Value to report
2005	Date / time / period qualifier	AN..3	M	191 = Estimated delivery date of the merchandise.
2380	Date / time / period	AN..8	M	Estimated delivery date of the merchandise.
2379	Date / time / period format qualifier	AN..3	M	102 = Format CCAAMMDD

Example: **DTM+191:20180410:102'**

DTM		OPTIONAL FIELD		
Item No.	Description EANCOM	Tipo	M/C	Value to report
2005	Date / time / period qualifier	AN..3	M	2 = Requested delivery date.
2380	Date / time / period	AN..8	M	Requested delivery date.
2379	Date / time / period format qualifier	AN..3	M	102 = Format CCAAMMDD

Example: **DTM+2:20180410:102'**

RFF		MANDATORY FIELD		
Item No.	Description EANCOM	Tipo	M/C	Value to report
1153	Reference qualifier	AN..3	M	DQ = Delivery note number
1154	Reference number	AN..35	M	Delivery note number

Example: **RFF+DQ:9999999'**

DTM		CONDITIONAL FIELD		
Item No.	Description EANCOM	Tipo	M/C	Value to report
2005	Date / time / period qualifier	AN..3	M	171 = Delivery note date
2380	Date / time / period	AN..8	M	Delivery note date
2379	Date / time / period format qualifier	AN..3	M	102= Format CCAAMMDD

Example: **DTM+171:20180410:102'**

RFF				
MANDATORY FIELD				
Item No.	Description EANCOM	Tipo	M/C	Value to report
1153	Reference qualifier	AN..3	M	ON = Buyer Order Number
1154	Reference number	AN..35	M	Buyer's Consolidated Order Number

Example: **RFF+ON:W080-466666'**

DTM				
CONDITIONAL FIELD				
Item No.	Description EANCOM	Tipo	M/C	Value to report
2005	Date / time / period qualifier	AN..3	M	171 = Order Date / Time
2380	Date / time / period	AN..8	M	Buyer order date
2379	Date / time / period format qualifier	AN..3	M	102= Format CCAAMMDD

Example: **DTM+171:20180408:102'**

NAD				
MANDATORY FIELD				
Item No.	Description EANCOM	Tipo	M/C	Value to report
3035	Part qualifier	AN..3	M	MS = Sender of the document or message (Origin)
3039	Part identification, encoded	AN..35	M	Sender of the document or message
3055	Agency responsible for code list, coded	AN..3	M	9 = EAN (International Article Numbering Association)

Example: **NAD+MS+841050000035::9'**

NAD				
MANDATORY FIELD				
Item No.	Description EANCOM	Tipo	M/C	Value to report
3035	Part qualifier	AN..3	M	MR= Receiver of the message (Destination)
3039	Part identification, encoded	AN..35	M	Receiver of the message
3055	Agency responsible for code list, coded	AN..3	M	9= EAN (International Article Numbering Association)

Example: **NAD+MR+842241000005::9'**

NAD				
MANDATORY FIELD				
Item No.	Description EANCOM	Tipo	M/C	Value to report
3035	Part qualifier	AN..3	M	SU= Provider
3039	Part identification, encoded	AN..35	M	Provider
3055	Agency responsible for code list, coded	AN..3	M	9= EAN (International Article Numbering Association)

Example: **NAD+SU+841050000035::9'**

NAD				
MANDATORY FIELD				
Item No.	Description EANCOM	Tipo	M/C	Value to report
3035	Part qualifier	AN..3	M	BY= Buyer
3039	Part identification, encoded	AN..35	M	Buyer
3055	Agency responsible for code list, coded	AN..3	M	9= EAN (International Article Numbering Association)

Example: **NAD+BY+842241000005::9'**

RFF				
CONDITIONAL FIELD				
Item No.	Description EANCOM	Tipo	M/C	Value to report
1153	Reference qualifier	AN..3	M	API = Additional Buyer Identification
1154	Reference number	AN..35	M	Code of the department that requests the merchandise.

Example: **RFF+API:COBY'**

NAD				
MANDATORY FIELD				
Item No.	Description EANCOM	Tipo	M/C	Value to report
3035	Part qualifier	AN..3	M	DP = Receiving part of the merchandise (RECEIVER)
3039	Part identification, encoded	AN..35	M	Receiving part of the merchandise
3055	Agency responsible for code list, encoded	AN..3	M	9 = EAN (International Article Numbering Association)

Example: **NAD+DP+8422410101054::9'**

RFF				
CONDITIONAL FIELD				
Item No.	Description EANCOM	Tipo	M/C	Value to report
1153	Reference qualifier	AN..3	M	API = Additional receiver identification
1154	Reference number	AN..35	M	Code of the dock that receives the merchandise.

Example: **RFF+API:CODDP'**

TOD				
OPTIONAL FIELD				
Item No.	Description EANCOM	Tipo	M/C	Value to report
4055	Function of the delivery conditions	AN..3	M	2 = Shipping terms
4215	Transportation cost payment method, encoded	AN..3	C	DF = Buyer and supplier defined method PC = Advance payment but charged to the client
4053	Delivery terms, encoded	AN..3	C	01E= Contact the receiving party before delivery (EAN code) 02E= Ship merchandise, express delivery (EAN code) 03E= Special delivery conditions (EAN code) 04E= Cash on delivery (EAN code)
4052	Delivery conditions	AN..35	M	

Example: **TOD+2+PC+01E:::CONDITIONS**

TDT				
OPTIONAL FIELD				
Item No.	Description EANCOM	Tipo	M/C	Value to report
8051	Transport stage qualifier	AN..3	M	20 = Main transport
8067	Transport modes, encoded	AN..3	M	10 = Marine transport 20 = Railway transport 30 = Road transport 60 = Multimodal transport
3127	Carrier identification	AN..35	M	Transport plate number (Trailer plate number)
3128	Carrier Name	AN..35	C	Carrier Name
8212	Identification of the means of transport	AN..35	M	Transport plate number (Cabine plate number)

Example: **TDT+20++30++TRAILER:::CARRIER NAME+++:::CAB PLATE NBR'**

CPS		MANDATORY FIELD		
Item No.	Description EANCOM	Tipo	M/C	Value to report
7164	Hierarchy identification number	AN..12	M	
7166	Hierarchical predecessor identifier	AN..12	C	Conditional only on the root package

Example: **CPS+2+1'**

PAC		MANDATORY FIELD		
Item No.	Description EANCOM	Tipo	M/C	Value to report
7224	Number of packages	AN..8	M	
7233	Information associated with the packaging, encoded	AN..3	C	Packaging barcode type. 50 = EAN code EAN-13 51 = EAN code ITF-14 o IFT-6 52 = EAN code UCC o EAN-128
7065	Packaging type, encoded	AN..17	M	200 = Pallet iso (80 x 60 cm) 201 = Pallet iso 1 (80 x 120 cm) 203 = Pallet iso 2 (40 x 60 cm)
3055	Agency responsible for code list, encoded	AN..3	M	9 = EAN (International Article Numbering association)
7064	Packaging type	AN..35	C	EAN13 or DUN14 code of the packaging.

Example: **PAC+1++201::9'**

MEA		CONDITIONAL FIELD		
Item No.	Description EANCOM	Tipo	M/C	Value to report
6311	Measurement application qualifier	AN..3	M	PD = Physical dimensions
6313	Measurement dimension, encoded	AN..3	M	AAC = Total Net Weight
6321	Meaning of the measure, encoded	AN..3	M	4 = Equal to
6411	Unit of measure specifier	AN..3	M	
6314	Measure value	AN..18	M	Total Net Weight

NOTA: Mandatory if it is a variable weight item for sale.

Example: **MEA+PD+AAC:4+KGM:320'**

MEA				
CONDITIONAL FIELD				
Item No.	Description EANCOM	Tipo	M/C	Value to report
6311	Measurement application qualifier	AN..3	M	PD = Physical dimensions
6313	Measurement dimension, encoded	AN..3	M	AAD = Total Gross Weight
6321	Meaning of the measure, encoded	AN..3	M	4 = Equal to
6411	Unit of measure specifier	AN..3	M	
6314	Measure value	AN..18	M	Total Gross Weight

Example: **MEA+PD+AAD:4+KGM:330.48'**

PCI				
MANDATORY FIELD				
Item No.	Description EANCOM	Tipo	M/C	Value to report
4233	Marking instructions, encoded	AN..3	M	33E= Marked with serial shipping unit code

Example: **PCI+33E'**

GIN				
MANDATORY FIELD				
Item No.	Description EANCOM	Tipo	M/C	Value to report
7405	Identity number qualifier	AN..3	M	BJ= Serial Shipping Container Code (SSCC)
7402	Identity number	AN..18	M	SSCC number

Example: **GIN+BJ+38426489XXXX44455'**

LIN				
MANDATORY FIELD				
Item No.	Description EANCOM	Tipo	M/C	Value to report
1082	Item line number	AN..6	M	Item line number in the Despatch Advice message generated by the application.
7140	Item number	AN..35	M	Item code
7143	Item number type	AN..3	M	EN = International Article Numbering Association (EAN) UP = UPC (Universal Product Code)

Example: **LIN+1++8410500001438:EN'**

PIA		OPTIONAL FIELD		
Item No.	Description EANCOM	Tipo	M/C	Value to report
4347	Product code function qualifier	AN..3	M	1 = Additional identification
7140	Item number	AN..35	M	Item code
7143	Item number type	AN..3	M	PV=EAN Expedition unit

Example: **PIA+1+1234:PV'**

PIA		OPTIONAL FIELD		
Item No.	Description EANCOM	Tipo	M/C	Value to report
4347	Product code function qualifier	AN..3	M	1 = Additional identification
7140	Item number	AN..35	M	Item code
7143	Item number type	AN..3	M	SA= Supplier item number

Example: **PIA+1+1234:SA'**

PIA		OPTIONAL FIELD		
Item No.	Description EANCOM	Tipo	M/C	Value to report
4347	Product code function qualifier	AN..3	M	1 = Additional identification
7140	Item number	AN..35	M	Item code
7143	Item number type	AN..3	M	IN= Buyer Item number.

Example: **PIA+1+1234:IN'**

PIA		OPTIONAL FIELD		
Item No.	Description EANCOM	Tipo	M/C	Value to report
4347	Product code function qualifier	AN..3	M	1 = Additional identify.
7140	Item number	AN..15	M	Batch number
7143	Item number type	AN..3	M	NB= Batch number.

Example: **PIA+1+L1234:NB'**

Note: In the event that the item has a batch number, it is mandatory to report it either in the PIA segment or in the GIN

PIA		OPTIONAL FIELD		
Item No.	Description EANCOM	Tipo	M/C	Value to report
4347	Product code function qualifier	AN..3	M	1 = Additional identification
7140	Item number	AN..35	M	Item code
7143	Item number type	AN..3	M	ADU= EAN-14 Item code

Example: **PIA+1+7613035198586:ADU::9'**

PIA		OPTIONAL FIELD		
Item No.	Description EANCOM	Tipo	M/C	Value to report
4347	Product code function qualifier	AN..3	M	1 = Additional identification
7140	Item number	AN..35	M	Item code
7143	Item number type	AN..3	M	ACU= EAN-13 Item content code

Example: **PIA+1+12345678901234:ACU'**

IMD		MANDATORY FIELD		
Item No.	Description EANCOM	Tipo	M/C	Value to report
7077	Item description type, encoded	AN..3	M	F = Free format
7008	Item description	AN..35	M	

Example: **IMD+F+++::FREE TEXT'**

IMD		OPTIONAL FIELD		
Item No.	Description EANCOM	Tipo	M/C	Value to report
7077	Item description type, encoded	AN..3	M	E = Short free format
7008	Item description	AN..35	M	

Example: **IMD+E+++:: FREE TEXT''**

IMD				
MANDATORY FIELD				
Item No.	Description EANCOM	Tipo	M/C	Value to report
7077	Item description type, encoded	AN..3	M	C = Code (from the list of industrial codes)
7009	Item description, encoded	AN..17	M	DU = Expedition Unit CU = Consumption Unit
3055	Agency responsible for code list, encoded	AN..3	M	9 = EAN (International Article Numbering association)

Example: **IMD+C++DU::9'**

MEA				
CONDITIONAL FIELD				
Item No.	Description EANCOM	Tipo	M/C	Value to report
6311	Measurement application qualifier	AN..3	M	AAI = Item weight
6313	Measurement dimension, encoded	AN..3	M	AAF = Total Net Weight Line
6321	Meaning of the measure, encoded	AN..3	C	4 = Equal to
6411	Unit of measure specifier	AN..3	M	KGM
6314	Measure value	AN..18	M	Total Net Weight

Note: Mandatory if it is a variable weight item for sale and does not appear at the Pallet level.

Example: **MEA+AAI+AAF:4+KGM:320'**

QTY				
MANDATORY FIELD				
Item No.	Description EANCOM	Tipo	M/C	Value to report
6063	Quantity qualifier	AN..3	M	12 = Shipped quantity
6060	Quantity	AN..17	M	Shipped quantity
6411	Unit of measure specifier	AN..3	M	LTR= Liter PCE= unit or piece

Example: **QTY+12:528:PCE'**

QTY				
MANDATORY FIELD				
Item No.	Description EANCOM	Tipo	M/C	Value to report
6063	Quantity qualifier	AN..3	M	59 = Consumption units per shipping unit
6060	Quantity	AN..17	M	Consumption units per shipping unit
6411	Unit of measure specifier	AN..3	M	LTR= Litter PCE= unit or piece

Example: **QTY+59:6:PCE'**

DTM				
CONDITIONAL FIELD.				
Item No.	Description EANCOM	Tipo	M/C	Value to report
2005	Date / time / period qualifier	AN..3	M	36 = Expiration date
2380	Date / time / period	AN..8	M	Expiration date
2379	Date / time / period format qualifier	AN..3	M	102= Format CCAAMMDD

Example: **DTM+36:20181231:102'**

Note: may appear at Group 15 level or at Group 20 level. In the event that the article has an expiration date, it is mandatory to inform it either in group 15 or in group 20

RFF				
OPTIONAL FIELD				
Item No.	Description EANCOM	Tipo	M/C	Value to report
1153	Reference qualifier	AN..3	M	DQ = Delivery note number
1154	Reference number	AN..35	M	Delivery note number

Example: **RFF+DQ:PEDPRO'**

RFF				
OPTIONAL FIELD				
Item No.	Description EANCOM	Tipo	M/C	Value to report
1153	Reference qualifier	AN..3	M	ON = BONPREU order request number.
1154	Reference number	AN..35	M	Buyer Order Number

Example: **RFF+ON:77777777'**

PCI		MANDATORY FIELD		
Item No.	Description EANCOM	Tipo	M/C	Value to report
4233	Marking instructions, encoded.	AN..3	M	36E= Provider Instructions

Example: **PCI+36E'**

DTM		CONDITIONAL FIELD.		
Item No.	Description EANCOM	Tipo	M/C	Value to report
2005	Date / time / period qualifier	AN..3	M	36 = Expiration date
2380	Date / time / period	AN..8	M	Expiration date
2379	Date / time / period format qualifier	AN..3	M	102= Format CCAAMMDD

Example: **DTM+36:20101110:102'**

Note: it may appear at Group 15 level or at Group 20 level. In the event that the article has an expiration date, it is mandatory to inform it either in group 15 or in group 20

DTM		CONDITIONAL FIELD.		
Item No.	Description EANCOM	Tipo	M/C	Value to report
2005	Date / time / period qualifier	AN..3	M	365 = Packaging date
2380	Date / time / period	AN..8	M	Packaging date
2379	Date / time / period format qualifier	AN..3	M	102= Format CCAAMMDD

Example: **DTM+365:20100514:102'**

DTM		CONDITIONAL FIELD.		
Item No.	Description EANCOM	Tipo	M/C	Value to report
2005	Date / time / period qualifier	AN..3	M	361 = Preferred consumption date
2380	Date / time / period	AN..8	M	Preferred consumption date or Expiration date
2379	Date / time / period format qualifier	AN..3	M	102= Format CCAAMMDD

Example: **DTM+361:20100514:102'**

GIN		CONDITIONAL FIELD.		
Item No.	Description EANCOM	Tipo	M/C	Value to report
7405	Identity number qualifier	AN..3	M	BX = Batch Number
7402	Identity number	AN..35	M	Batch Number

Example: **GIN+BX+80950XXXX'**

Note: In the event that the item has a batch number, it is mandatory to report it either in the PIA segment or in the GIN

CNT		MANDATORY FIELD		
Item No.	Description EANCOM	Tipo	M/C	Value to report
6069	Control qualifier	AN..3	M	2 = LIN number in the message
6066	Control value	AN..17	M	LIN number in the message

Example: **CNT+2:2'**

UNT		MANDATORY FIELD		
Item No.	Description EANCOM	Tipo	M/C	Value to report
0074	Message segments number	AN..6	M	Message segments number
0062	Message reference number	AN..14	M	Message reference number

Example: **UNT+46+EW78444269'**

2.3.1. Clarifications for variable weight goods

DESADV messages, it is necessary, for both variable weight and fixed weight merchandise, that suppliers always report EAN13 codes.

If the item is **NOT** variable weight (fixed weight):

The EAN13 code will be reported in the LIN segment and the quantities sent will refer to consumption units.

```
CPS+1' <--- "Dummy" CPS segment
PAC+xx++201' <--- PALLET FORMAT
PCI+33E'
GIN+BJ+184XXXXXXXXXXZZZZZ2' <--- SSCC PALLET LABEL
LIN+11++84XXXXXXXXXXB:EN' <--- EAN13
PIA+1+584XXXXXXXXXXA:ADU' <--- DUN14 (optional)
QTY+12:25' <--- QUANTITY SENT IN consumer units (Units per pallet)
QTY+59:5' <--- Quantity of consumption units in each dispatch unit
PCI+36E'
DTM+36:20101215:102' <--- Expire date
GIN+BX+L3185E20' <--- Batch number
```

If the item is of variable weight:

The DUN14 code will be reported in the LIN segment and the shipped quantities will refer to consumption units.

```
CPS+1' <--- "Dummy" CPS segment
PAC+xx++201' <--- PALLET FORMAT
PCI+33E'
GIN+BJ+184XXXXXXXXXXZZZZZ2' <--- SSCC PALLET LABEL
LIN+11++84XXXXXXXXXXB:EN' <--- EAN13
PIA+1+584XXXXXXXXXXA:ACU' <--- DUN14
MEA+AAI+AAF+KGM:199,783' <--- Net weight
QTY+12:12' <--- QUANTITY SENT IN consumer units (Units per pallet)
QTY+59:1' <--- Quantity of consumption units in each dispatch unit
PCI+36E'
DTM+36:20101215:102' <--- Expire date
GIN+BX+L3185E20' <--- Batch number
```

2.3.1. Despatch Advise example (DESADV D96A)

UNH+1+DESADV:D:96A:UN:EAN005'
BGM+351+DN1213456+9'
DTM+137:202103120910:203'
DTM+191:202103120000:203'
RFF+ON:B040-777777'
RFF+DQ:DN123456'
NAD+MS+8430471460003::9'
NAD+SU+8410500000035::9'
NAD+MR+8422410000005::9'
NAD+DP+8422410150007::9'
NAD+BY+8422410000005::9'
CPS+1'
PAC+73++201'
CPS+2+1'
PAC+1++201'
PCI+33E'
GIN+BJ+384105001790857343'
LIN+1++5410500016784:EN'
PIA+1+15410500016781:ADU'
IMD+C++CU::9'
IMD+F++:::ITEM1'
QTY+12:1200'
QTY+59:20'
PCI+36E'
DTM+36:20210410:102'
GIN+BX+210410'
CPS+3+1'
PAC+1++201'
PCI+33E'
GIN+BJ+384105001790857374'
LIN+2++5410500016791:EN'
PIA+1+15410500016798:ADU'
IMD+C++CU::9'
IMD+F++:::ITEM2'
QTY+12:300'
QTY+59:3'
PCI+36E'
DTM+36:20210416:102'
GIN+BX+210416'
CPS+4+1'
PAC+1++201'
PCI+33E'
GIN+BJ+384105001790857404'
LIN+3++5410500016791:EN'
PIA+1+15410500016798:ADU'
IMD+C++CU::9'
IMD+F++:::ITEM1'
QTY+12:96'
QTY+59:1'
PCI+36E'
DTM+36:20210416:102'
GIN+BX+210416'
CNT+2:3'
UNT+55+1'